



MINI TANK

Hydraulic swing gate operator
for residential use or small condominiums
for leaf lengths up to max **3 METERS**



Release system with
SEA personalized key



POSITION GATE
Absolute Linear
Encoder (optional)



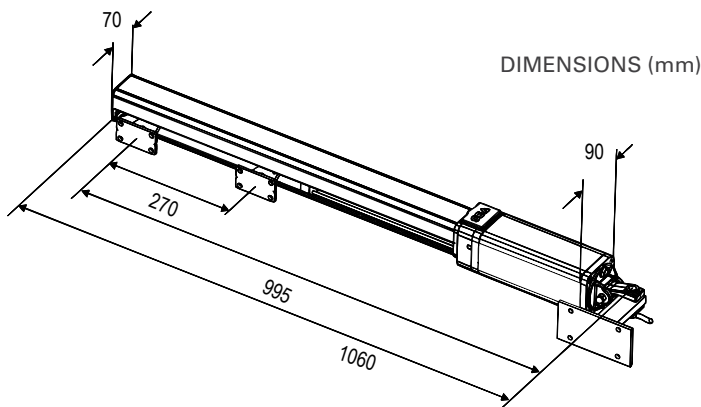
Round joint for
stroke adjustment



On request versions with
hydraulic slowdown for
a smooth approach of
the leaves in closing

- ▶ Oil lubrication of all mechanical components
- ▶ Mechanical internal stop device for the best end-of-stroke position management (optional)
- ▶ External hydraulic locks for an easy replacement
- ▶ Version with lock in opening and closing (AC); with lock only in closing (SC); or without lock (SB)
- ▶ Stroke of 270 mm - Rod diameter of 16 mm
- ▶ "PG" models on request, with standard Position Gate

TECHNICAL DATA



SPECIFICATIONS	MINI TANK
Power supply	230Vac±5% - 50/60Hz
Motor Power	180 W
Shaft Stroke	270 mm
Max duty cycles	100% (UNIGATE)
Working temperature	-40°C /+ 60°C
Weight	10 kg
Max leaf length	3,0 m
Opening degrees	90°- 110°
Shaft speed	1,5 cm/sec (1L pump)
Protection class	IP55
Starting capacitor	6,3µF
Max thrust	300 daN

ACCESSORIES



Adjustable back bracket to screw
2 pcs



PROBE
Kit Probe to manage low temperature + LE unit + 1,8 m cable



External release with box, lock and 2,5 m SS cable and joint



Green oil (5 liters can)



Nylon mechanical stops in opening



Aluminium oscillating back fixing fork



Cylinder with Din Key - 10 encryptions (1 pc)



Bracket for outwards opening L 400 mm (2 pcs)



Positive stops



HTLOCKP Metal release PLUS with joint and DIN lock for max. safety



POSITION GATE *
KIT Absolute linear encoder with extrusion

ELECTRONIC CONTROL UNITS

GATE 2 DG

- Electronic control unit for two 230V operators management



UNIGATE 2I (INVERTER management) For MINI TANK IV only

- Bidirectional and Linear (Position Gate) Encoder management
- Standard limit switch management (LE card is NO longer required)
- Battery management for emergency function
- Power switching from 90Vac to 265V - 2Ah (1.3 Ah for accessories) -> the additional Power Supply is no longer necessary
- 2 programmable inputs (GP1 and GP2)
- Programmable timer and integrated UPS
- Connection between Inverter module and module management with USB cable
- 2 programmable output relays (electric lock, traffic light, courtesy light ...) -> SUP device is no longer necessary!
- Verification and control of the accessories charge

Advantages:

More Cycles/Hour

N.C. inputs protected by 8K2 resistance

Amperometric management for inversion in case of obstacle

Low temperature in intensive cycle

High torque during slowing down

UNIGATE - I INVERTER technology



SEA S.p.A.

Zona Industriale S. Atto (TE), 64100 - ITALY - Phone. +39 0861 588341

www.seateam.com | info@seateam.com