



SATURN 600 /1000/1500 FAST

Gearmotor for condominium sliding gates



Release with aluminium lever and lock



Oil lubrication of the gears for max duration



Mechanical twin-disc clutch
(only for SATURN OIL)

- ▶ Solid, die-cast aluminum body
- ▶ High quality mechanical or inductive limit switches (on request magnetic limit switches "MAG" version)
- ▶ Standard encoder to comply with the rules (except for SATURN 1500 24V)
- ▶ Optional emergency batteries for operation in case of power failure (only for version 24V)
- ▶ Foundation plate adjustable in height up to 30 mm and in lateral position up to 40 mm (optional)
- ▶ GATE 1 DG (version 230V) USER 1-24V DG (version 24V)
- ▶ Micro-switch for stop function on release lever in case of assistance
- ▶ In option device for braking the downhill gates (max 5° slope - 1500 kg)

SPECIFICATIONS	SATURN 230V 600/1000	SATURN 24V FAST 500/1200/1500
Power supply	230Vac±5% - 50/60Hz	230Vac±5% - 50/60Hz
Motor Power	320W / 350W	100 W
Opening speed	0,15 (0,18) m/s	0,40 m/s Max (Z20) 0,32 m/s Max (Z16) 0,25 m/s Max (Z13)
Max duty cycles	50% (600) 75%(1000)	75%
Operating T°	-20°C /+ 55°C	-20°C /+ 55°C
Max torque	30 Nm / 55 Nm	0 - 45 Nm 0 - 65 Nm 0 - 65 Nm
Max leaf weight	600 / 1000 kg	500 /1200 / 1500 kg
Anti crushing clutch	electronic/ mechanical	ele ttronic
Protection class	IP55	IP55
Limit switch	mechanical /inductive	mechanical /inductive

UNIGATE - I

INVERTER technology

UNIGATE 2I (INVERTER)

- Digital control unit with LCD display
- Adjustable speed
- Adjustable acceleration/deceleration
- Continuous motor cycles
- High strength in slowdown
- Possibility to manage obstacle reverse

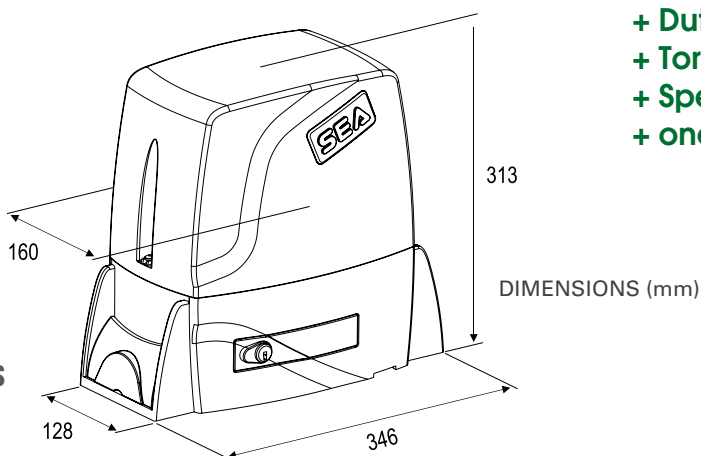
Integrated functions on the UNIGATE INVERTER

- 2 relay contacts
- 2 programmable GPIO outputs
- LE card on board for potentiometer
- Relay card on board
- PROBE heater card on board
- Management of two FV inverters for 2 motors or 2 PM modules for 4 motors
- Timer on board with buffer battery and management of 2 time bands
- 2 Ah switching transformer of which about 1.3 Ah free for other accessories



Advantages:

- + Duty cycles
- + Torque
- + Speed (adjustable)
- + one model 90V to 265V



ACCESSORIES



Yellow oil



ENC
Kit Encoder for
Saturn E



PZ13T Pinion Z13
MERCURY



PZ20 Pinion Z20
MERCURY



Microswitch on
release lever for
stop function (for
SATURN G1 and E)



ESUN Q
Battery charger 800
mA with solar panel
admin



Cover INOX for
external release
to combine with
SECSAT



SECSAT
Box and external
release with cable



DIN cylinder with
variable coding



Adjustable
foundation plate
with bolts/screws



Device for braking
the downhill gates
max 5° slope
1500 kg



BAT7 (7AH)
Battery kit with box



Kit SUNNY
20W solar panel +
control unit ESUN Q
+ battery 12Ah



SEA S.p.A.

Zona Industriale S. Atto (TE), 64100 - ITALY - Phone. +39 0861 588341- Fax +39 0861 588344

www.seateam.com | info@seateam.com